

PLEASE CHECK WWW.MOLEX.COM FOR LATEST PART INFORMATION

Part Number: [0491160211](#)
Status: **Active**
Description: 2.54mm (.100") Pitch 2 Way Female Housing Assemblies, Secondary Locking, Crash Sensor

Documents:

[Drawing \(PDF\)](#) [RoHS Certificate of Compliance \(PDF\)](#)
[Product Specification PS-49116-001 \(PDF\)](#)

General

Product Family Crimp Housings
 Series [49116](#)
 Product Name N/A

Physical

Circuits (maximum) 2
 Color - Resin Black, Natural
 Gender Female
 Glow-Wire Compliant No
 Keying to Mating Part None
 Lock to Mating Part Yes
 Material - Resin Polyester
 Number of Rows 1
 Packaging Type Bag
 Panel Mount No
 Pitch - Mating Interface (in) 0.100 In
 Pitch - Mating Interface (mm) 2.54 mm
 Pitch - Term. Interface (in) 0.100 In
 Pitch - Term. Interface (mm) 2.54 mm
 Polarized to Mating Part Yes
 Ports 1
 Stackable No
 Temperature Range - Operating -40°C to +85°C

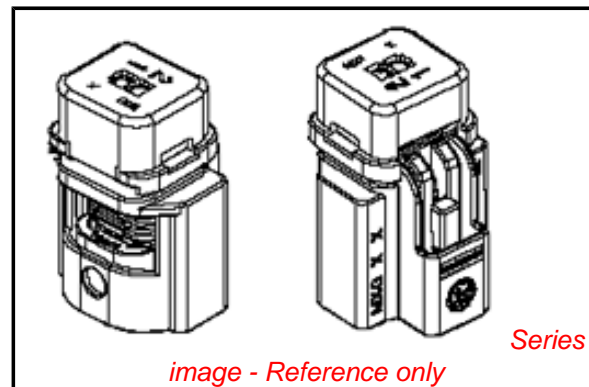
Electrical

Current - Maximum per Contact 10A

Material Info

Reference - Drawing Numbers

Product Specification PS-49116-001
 Sales Drawing SD-49116-001



EU RoHS

ELV and RoHS Compliant
REACH SVHC
 Not Reviewed
Halogen-Free Status
 Not Reviewed

China RoHS



Need more information on product environmental compliance?

Email productcompliance@molex.com
 For a multiple part number RoHS Certificate of Compliance, [click here](#)

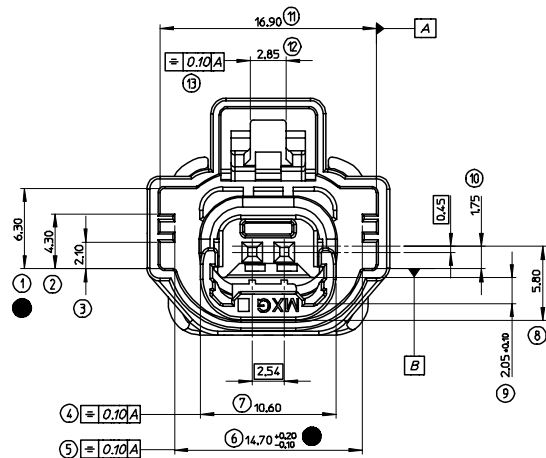
Please visit the [Contact Us](#) section for any non-product compliance questions.

Search Parts in this Series

[49116Series](#)

Use With

[98658](#) Female Crimp Terminal

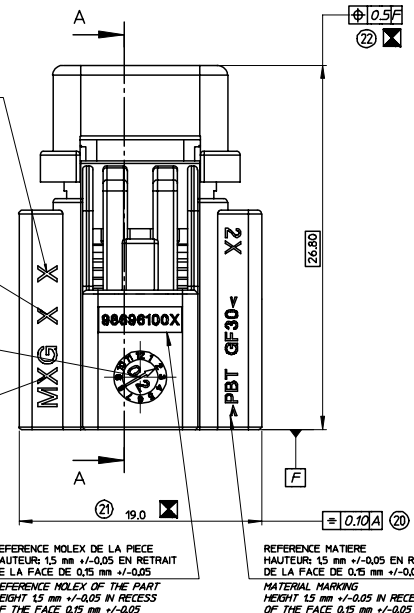


INDICE DE REVISION DU PLAN CLIENT VERSION NON ETANCHE HAUTEUR: 15 mm +/-0.05 EN RETRAIT DE LA FACE DE 0.15 mm +/-0.05
 REVISION LEVEL OF THE SALES DRAWING NOT SEAL VERSION HEIGHT 15 mm +/-0.05 IN RECESS OF THE FACE 0.15 mm +/-0.05

INDICE DE CAVITE MOULE HAUTEUR: 15 mm +/-0.05 EN RETRAIT DE LA FACE DE 0.15 mm +/-0.05
 MOLD CAVITY MARKING HEIGHT 15 mm +/-0.05 IN RECESS OF THE FACE 0.15 mm +/-0.05

DATEUR #4 EN RETRAIT DE LA FACE DE 0.15 mm +/-0.05
 DATE MARKER IN RECESS OF THE FACE 0.15 mm +/-0.05

LOGO MOLEX HAUTEUR: 15 mm +/-0.05 EN RETRAIT DE LA FACE DE 0.15 mm +/-0.05
 LOGO MOLEX HEIGHT 15 mm +/-0.05 IN RECESS OF THE FACE 0.15 mm +/-0.05

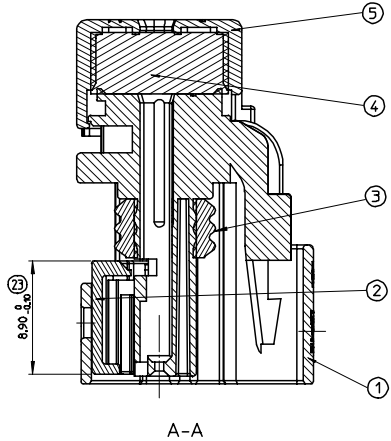
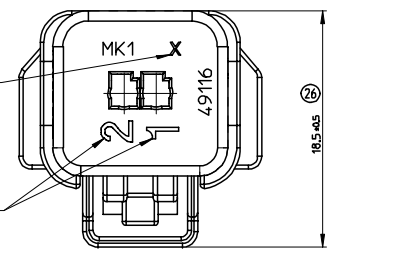


REFERENCE MOLEX DE LA PIECE HAUTEUR: 15 mm +/-0.05 EN RETRAIT DE LA FACE DE 0.15 mm +/-0.05
 REFERENCE MOLEX OF THE PART HEIGHT 15 mm +/-0.05 IN RECESS OF THE FACE 0.15 mm +/-0.05

REFERENCE MATIERE HAUTEUR: 15 mm +/-0.05 EN RETRAIT DE LA FACE DE 0.15 mm +/-0.05
 MATERIAL MARKING HEIGHT 15 mm +/-0.05 IN RECESS OF THE FACE 0.15 mm +/-0.05

INDICE DE REVISION DU PLAN CLIENT VERSION ETANCHE HAUTEUR: 15 mm +/-0.05 EN RETRAIT DE LA FACE DE 0.15 mm +/-0.05
 REVISION LEVEL OF THE CUSTOMER DRAWING SEAL VERSION HEIGHT 15 mm +/-0.05 IN RECESS OF THE FACE 0.15 mm +/-0.05

NUMERO CAVITE HAUTEUR: 15 mm +/-0.05 EN RETRAIT DE LA FACE DE 0.15 mm +/-0.05
 CAVITY NUMBER HEIGHT 15 mm +/-0.05 IN RECESS OF THE FACE 0.15 mm +/-0.05



| NOMENCLATURE / PART LIST | | | | | |
|--------------------------|---------|----------------------------------------------|----------------|------------------|-----------------------------------|
| REF. POS. | QTE DTY | DESIGNATION DESIGNATION | COULEUR COLOUR | MATIERE MATERIAL | REFERENCE MOLEX PART NUMBER MOLEX |
| 1 | 1 | BOITIER / HOUSING | NOIR / BLACK | PBT GF 30% | 98696-0002 |
| 2 | 1 | VERROU SECONDAIRE / SECONDARY LOCKING | VERT / GREEN | PBT GF 30% | 98594-0001 |
| 3 | 1 | JOINT INTERFACIAL / PERIMETER SEAL | | SILICONE | 49116-0003 |
| 4 | 1 | JOINT GEL / GEL SEAL | BLEU / BLUE | GEL SILICONE | 49116-0002 |
| 5 | 1 | GRILLE DE COMPRESSION / REAR SEAL COVER | NOIR / BLACK | PBT GF 30% | 49116-0281 |
| | | PORTE-CLIPS ASSEMBLE FEMALE MODULE ASSEMBLED | | | 49116-0211 |

| PRODUITS ASSOCIES / ASSOCIATED PARTS | | |
|----------------------------------------------------------------------|---------------------------|--------------|
| DESIGNATION | REF. MOLEX / MOLEX P/N | |
| CLIP MOX 0,635 ETAME FIL / FEMALE TERMINAL TIN PLATED MOX 0,635 WIRE | 98658-1211 and 98658-1212 | |
| MISE EN OEUVRE / SPECIFICATION FILE | | |
| CAHIER DE PRECONISATIONS N° : / APPLICATION SPECIFICATION N° : | | AS-98696-001 |

| PRINCIPALES PROPRIETES MECANQUES MAIN MECHANICAL PROPERTIES | VALEURS VALUES |
|--------------------------------------------------------------------------------------|-------------------------------|
| FORCE D'INSERTION DES CLIPS FEMALE TERMINAL INSERTION FORCE | 5N MAX |
| EFFORT DE FERMETURE DU VERROU SECONDAIRE LOCKING FORCE OF SECONDARY LOCKING | F < 30N |
| EFFORT DE MONTAGE DU CONNECTEUR SUR INTERFACE CONNECTOR MATING FORCE ON INTERFACE | 60N MAX |
| FEMALE TERMINAL RETENTION FORCE | 40N, MIN. |
| TENUE DES CLIPS AUX EFFORTS D'ARRACHEMENTS CONNECTOR RETENTION FORCE ON INTERFACE | 95N, MIN. |
| CLASSE DE TEMPERATURE OPERATING TEMPERATURE | - CLASSE 1 - (-40°C/+85°C) |

☞ - REPERAGE DES DIMENSIONS POUR LE RAPPORT D'INSPECTION
 ☞ - DIMENSIONS MARKING FOR THE INSPECTION REPORT

SPECIFICATION MOLEX DE CONDITIONNEMENT N° : PP-98696-002
 MOLEX PACKAGING SPECIFICATION N° : PP-98696-002

☒ INDICATION DIMENSIONS S.P.C
 DENOTES S.P.C DIMENSIONS
 ☒ INDICATION DIMENSIONS CRITIQUES
 DENOTES CRITICAL DIMENSIONS
 ● INDICATION DIMENSIONS FONCTIONNELLES
 DENOTES FUNCTIONAL DIMENSIONS
 QUANTITE PAR FEUILLE INDIVIDUELLE
 QUANTITY PER INDIVIDUAL SHEET
 ☒ = 2 ☒ = 0 ● = 2

